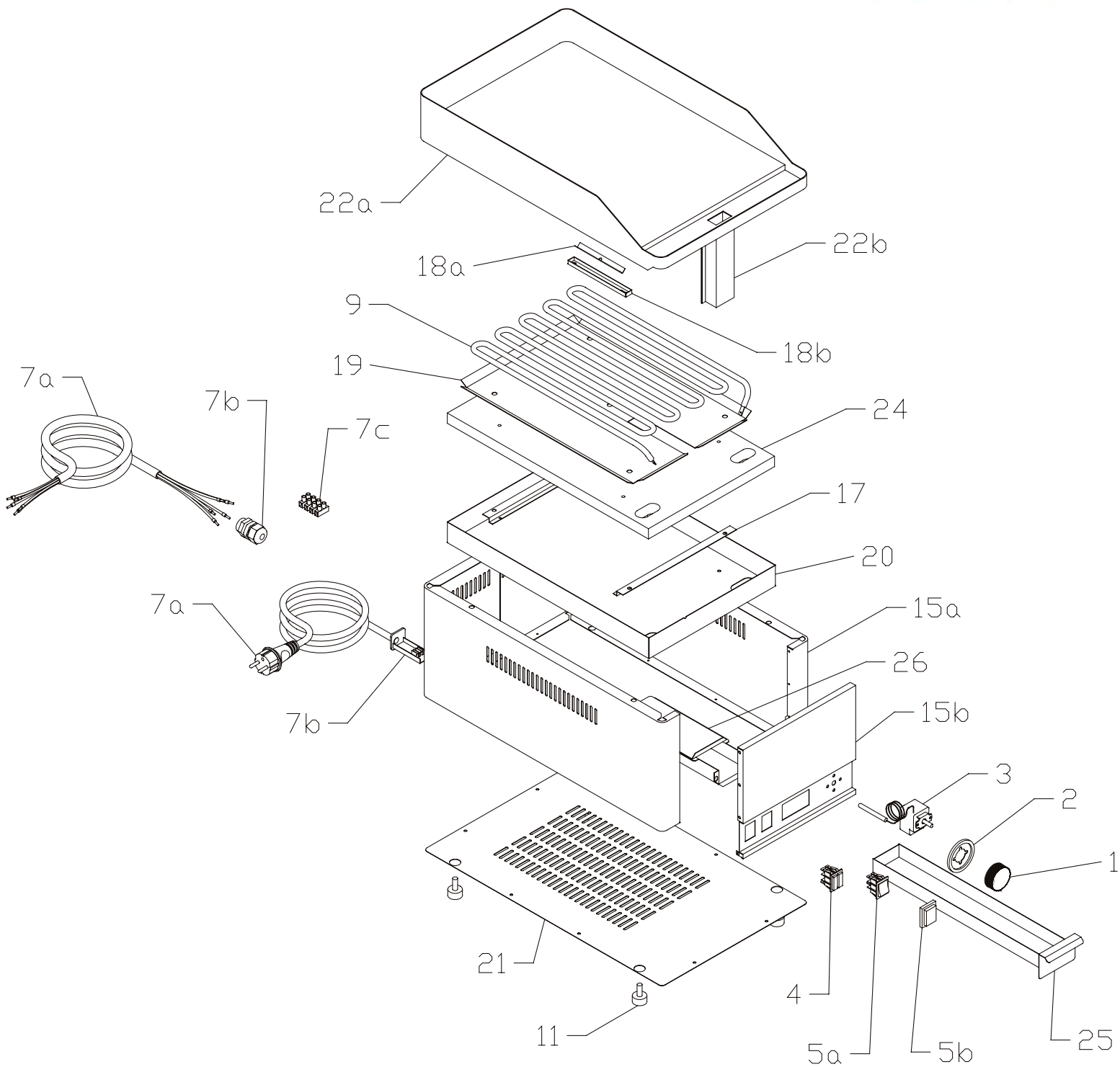


Rozkres FTH (C) - 30, FTH (C) - 60

platí do 1.6.2009





FTH - 30  
platí do 1.6.2009

Poz.	Kód
1	rm402593000
2	rm402595000
3	rm402503500
4	rm401510000
5a	rm401500500
5b	rm401509000
6	-----
7a	rm402010500
7b	rm402085500
8	-----
9	rm401025010
10	-----
11	rm407810500
12	-----
13	-----
14	-----
15a	rm501000100
15b	rm451001010
16	-----
17	rm451002500
18a	rm450503500
18b	rm451008600
19	rm451007500
20	rm451002400
21	rm451002000
22a	rm501005535
22b	rm501002100
23	-----
24	rm407500500
25	rm503000450
26	rm501002200

FTH - 60  
platí do 1.6.2009

Poz.	Kód
1	rm402593000
2	rm402595000
3	rm402503500
4	rm401510000
5a	rm401500500
5b	rm401509000
6	-----
7a	rm402010700
7b	rm402086016
7c	rm402080100
8	-----
9	rm401025010
10	-----
11	rm407810500
12	-----
13	-----
14	-----
15a	rm501000500
15b	rm451016010
16	-----
17	rm451019500
18a	rm450503500
18b	rm451008600
19	rm451007500
20	rm451019000
21	rm451018500
22a	rm501005575
22b	rm501002100
23	-----
24	rm407500500
25	rm503000450
26	rm501002200

FTH-C - 30  
platí do 1.6.2009

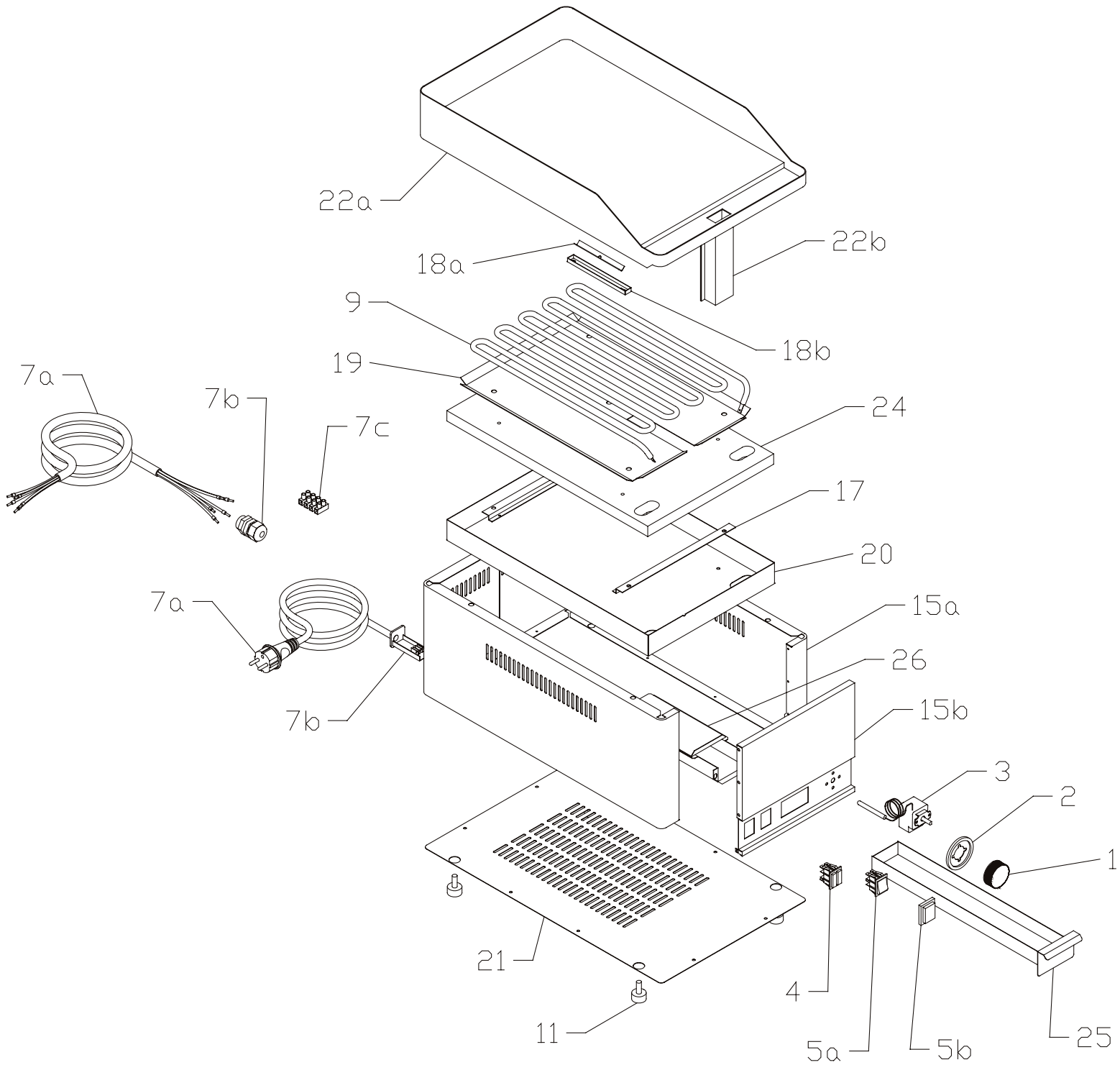
Poz.	Kód
1	rm402593000
2	rm402595000
3	rm402503500
4	rm401510000
5a	rm401500500
5b	rm401509000
6	-----
7a	rm402010500
7b	rm402085500
8	-----
9	rm401025010
10	-----
11	rm407810500
12	-----
13	-----
14	-----
15a	rm501000100
15b	rm451001010
16	-----
17	rm451002500
18a	rm450503500
18b	rm451008600
19	rm451007500
20	rm451002400
21	rm451002000
22a	rm501005547
22b	rm501002100
23	-----
24	rm407500500
25	rm503000450
26	rm501002200

FTH-C - 60  
platí do 1.6.2009

Poz.	Kód
1	rm402593000
2	rm402595000
3	rm402503500
4	rm401510000
5a	rm401500500
5b	rm401509000
6	-----
7a	rm402010700
7b	rm402086016
7c	rm402080100
8	-----
9	rm401025010
10	-----
11	rm407810500
12	-----
13	-----
14	-----
15a	rm501000500
15b	rm451016010
16	-----
17	rm451019500
18a	rm450503500
18b	rm451008600
19	rm451007500
20	rm451019000
21	rm451018500
22a	rm501005597
22b	rm501002100
23	-----
24	rm407500500
25	rm503000450
26	rm501002200

Rozkres FTH (C) - 30, FTH (C) - 60

platí od 1.6.2009





FTH - 30  
platí od 1.6.2009

Poz.	Kód
1	rm402593000
2	rm402595000
3	rm402503500
4	rm401510000
5a	rm401500500
5b	rm401509000
6	-----
7a	402010500
7b	402085500
8	-----
9	401025000A
10	-----
11	407810500
12	-----
13	-----
14	-----
15a	501000100
15b	451001010
16	-----
17	451002500
18a	450503500
18b	451008600
19	451007500A
20	451002410
21	451002000
22a	501005535
22b	501002100
23	-----
24	407500500
25	503000450
26	501002200

FTH - 60  
platí od 1.6.2009

Poz.	Kód
1	rm402593000
2	rm402595000
3	rm402503500
4	rm401510000
5a	rm401500500
5b	rm401509000
6	-----
7a	rm402010700
7b	rm402086016
7c	rm402080100
8	-----
9	rm401025000A
10	-----
11	rm407810500
12	-----
13	-----
14	-----
15a	rm501000500
15b	rm451016010
16	-----
17	rm451019500
18a	rm450503500
18b	rm451008600
19	rm451007500A
20	rm451019010
21	rm451018500
22a	rm501005575
22b	rm501002100
23	-----
24	rm407500500
25	rm503000450
26	rm501002200

FTH-C - 30  
platí od 1.6.2009

Poz.	Kód
1	rm402593000
2	rm402595000
3	rm402503500
4	rm401510000
5a	rm401500500
5b	rm401509000
6	-----
7a	rm402010500
7b	rm402085500
8	-----
9	rm401025000A
10	-----
11	rm407810500
12	-----
13	-----
14	-----
15a	rm501000100
15b	rm451001010
16	-----
17	rm451002500
18a	rm450503500
18b	rm451008600
19	rm451007500A
20	rm451002410
21	rm451002000
22a	rm501005547
22b	rm501002100
23	-----
24	rm407500500
25	rm503000450
26	rm501002200

FTH-C - 60  
platí od 1.6.2009

Poz.	Kód
1	rm402593000
2	rm402595000
3	rm402503500
4	rm401510000
5a	rm401500500
5b	rm401509000
6	-----
7a	rm402010700
7b	rm402086016
7c	rm402080100
8	-----
9	rm401025000A
10	-----
11	rm407810500
12	-----
13	-----
14	-----
15a	rm501000500
15b	rm451016010
16	-----
17	rm451019500
18a	rm450503500
18b	rm451008600
19	rm451007500A
20	rm451019010
21	rm451018500
22a	rm501005597
22b	rm501002100
23	-----
24	rm407500500
25	rm503000450
26	rm501002200