

Drawing



Tools for Chefs

Hendi B.V.

Innovatielaan 6
6745XW De Klomp
The Netherlands

Batch #

V.02

Appliance part#

203163

Description

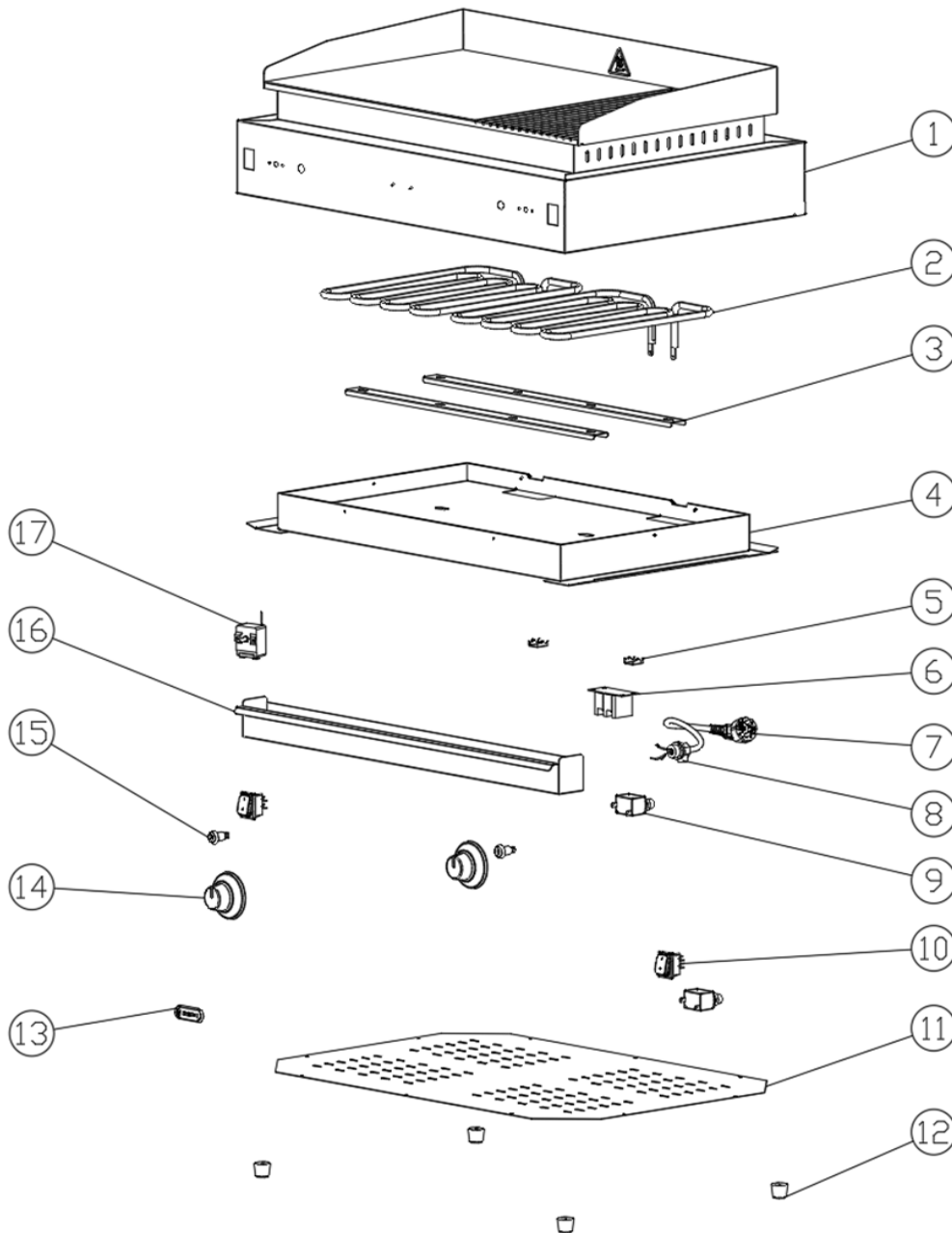
Griddle Profiline
2/3 flat, 1/3 ribbed

Date 08-12-2025


Revision #

V.02

Revision First Bill of Materials (BOM)



Bill of materials (BOM)

 HENDI Tools for Chefs Hendi B.V. Steenoven 21 3911 TX Rhenen The Netherlands	Batch #	Appliance part#
	V.02	203163
	Description	
	Griddle Profiline 2/3 flat, 1/3 ribbed	


Date	08-12-2025	Revision #	V.02
Revision	First Bill of Materials (BOM)		

Item	Description	Part#	Quantity	Remark	Picture
1	Housing frame incl. griddle	n/a	1		
2	Heating element (1750W)	964347	2		
3	Heating element bracket	n/a	2		
4	Insulation bracket	n/a	2		
5	Bracket	n/a	2		
6	Terminal	912041	1		
7	Power cord	912027	1		
8	Pull relief	912201	1		
9	Hi-limiter	964279	2		
10	Switch	205426	2		
11	Housing panel (bottom)	n/a	1		
12	Feet	964286	4	set of 4pcs	
13	Logo badge "Hendi"	955963	1		
14	Thermostat knob	929865	2		
15	Indicator light (orange)	912003	2		
16	Drip tray	971956	1		
17	Thermostat	964293	2		

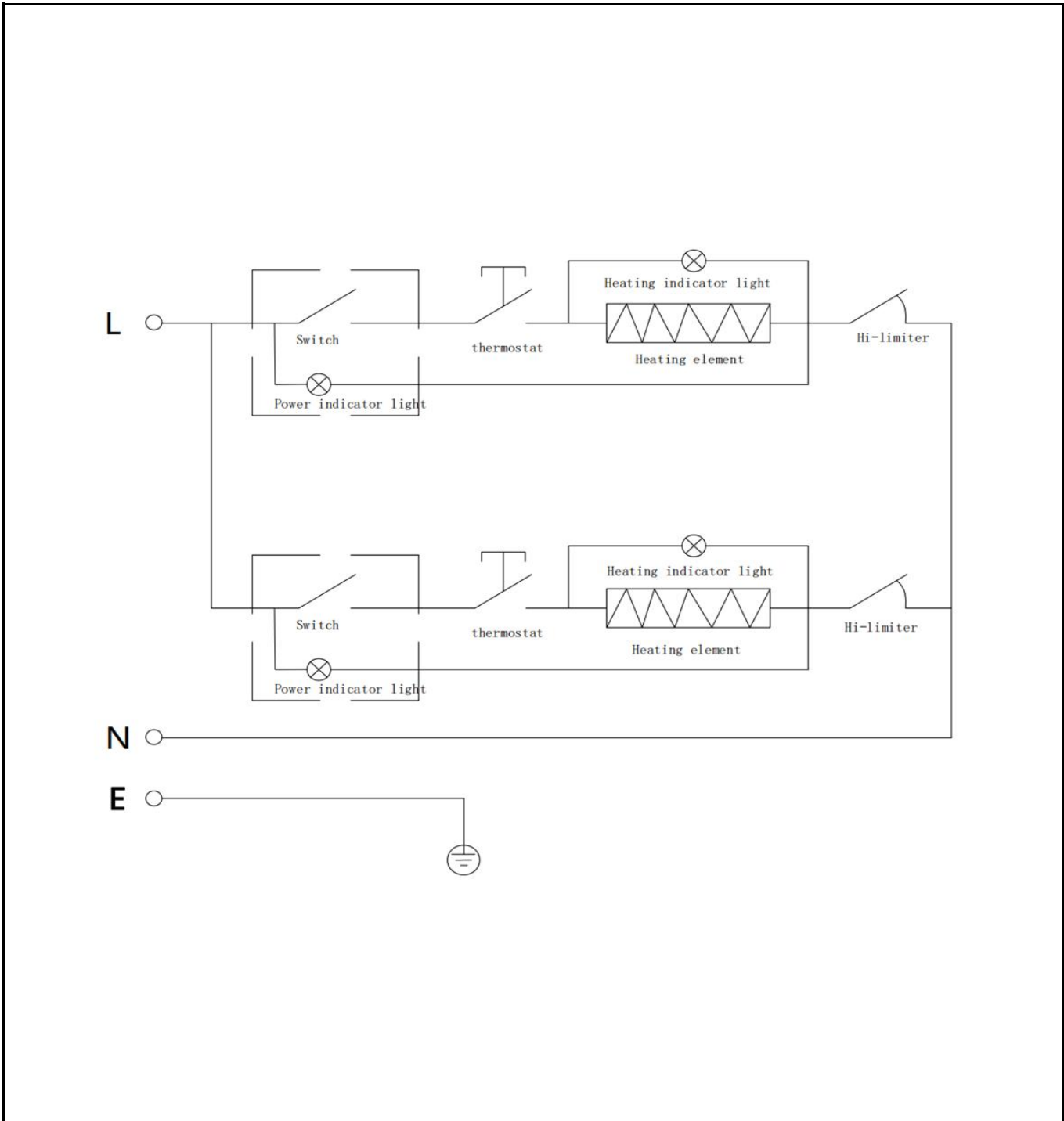
n/a -> not available

nss -> not sold separately


Circuit diagram

 HENDI Tools for Chefs Hendi B.V. Steenoven 21 3911 TX Rhenen The Netherlands	Batch #	Appliance part#
	V.02	203163
	Description	
	Griddle Profiline 2/3 flat, 1/3 ribbed	

Date	08-12-2025	Revision #	V.02
Revision	First Bill of Materials (BOM)		



Dimentional drawing

 HENDI Tools for Chefs Hendi B.V. Steenoven 21 3911 TX Rhenen The Netherlands	Batch #	Appliance part#
	V.02	203163
	Description	
	Griddle Profiline 2/3 flat, 1/3 ribbed	

Date	08-12-2025	Revision #	V.02
Revision	First Bill of Materials (BOM)		

