
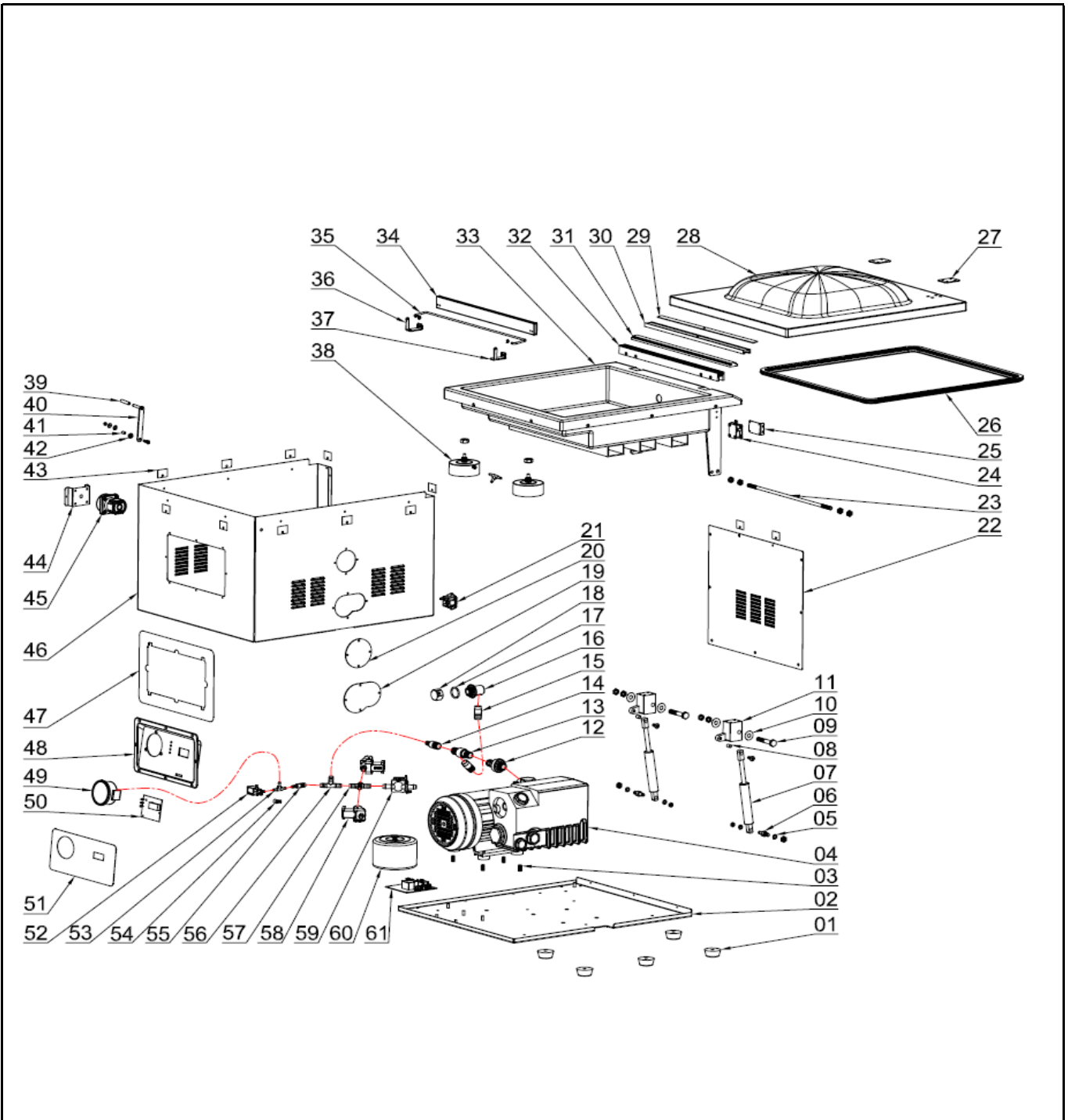



Drawing

 HENDI Tools for Chefs Hendi B.V. Steenoven 21 3911 TX Rhenen The Netherlands	Batch #	Appliance part#
	HK013121 and up	201442
	Description	
	Vacuum chamber packaging machine Profi Line 410	

Date	18-06-2025	Revision #	1,1
Revision	New vacuum pump.		



Bill of materials (BOM)

 <p>Hendi B.V. Steenoven 21 3911 TX Rhenen The Netherlands</p> <p style="font-size: small; color: green;">Tools for Chefs</p>	Batch #	Appliance part#
	HK013121 and up	201442
	Description	
	Vacuum chamber packaging machine Profi Line 410	

Date	18-06-2025	Revision #	1,1
Revision	New vacuum pump.		


Item	Description	Part#	Quantity	Remark	Picture
1	Foot	942543	6		
2	Bottom Plate	n/a	1		
3	M8X16 screw	n/a	4		
4	Vacuum Pump	955888	1		
5	Ø8 Washer	n/a	2		
6	Gas Hinge Srew	n/a	2		
7	Gas spring (275N)	947364	2		
8	Gas Hinge Washer	n/a	2		
9	Hinge Bracket Screw	n/a	2		
10	Washer	n/a	2		
11	Hinge Bracket	n/a	2		
12	Vaccuum Connector	n/a	2		
13	3-Way Connector Ø18mm	n/a	1		
14	Brass Connector (Big->Small)	n/a	1		
15	Connector	n/a	1		
16	Vacuum Chamber Connector	n/a	1		
17	Gasket Vacuum Chamber Connector	n/a	1		
18	Vacuum Port Nut	n/a	1		
19	Side Cover A	n/a	1		
20	Side Cover B	n/a	1		
21	Socket C14 with Fuse	n/a	1		
22	Back Cover	n/a	1		
23	Vaccuum Chamber Axle	n/a	1		
24	Microswitch Assembly	946879	1		
25	Bracket	n/a	1		
26	Gasket Lid	944950	1	Also in set 946909	
27	Vacuum Lid Hinge Cover	nss	2	Available as 946909	
28	Vacuum Lid	946909	1	Incl. items 26,27,29,30 and 31	
29	Sealing for Holder Silicone Gasket	nss	1	Available as 946909	
30	Holder Silicone Gasket	nss	1	Available as 946909	
31	Silicone Gasket	944967	1	23.5*410mm	
32	Sealing Bar Complete Assembly	944974	1	Total Length 413mm	
32A	Teflon tape (top side sealbar, 65mm x 1m)	936801	1	Not Shown on Exploded View	
32B	Teflon Tape Whole Roll (65mm*30m)	942666	1	Not Shown on Exploded View	
32C	Heating Wire	946916	2	Not Shown on Exploded View	
33	Vacuum Chamber	n/a	1		
34	Bracket	n/a	1		
35	Bag Holder	nss	1	Available as 946923	
36	Bag Holder Bracket (Left)	nss	1	Available as 946923	
37	Bag Holder Bracket (Right)	nss	1	Available as 946923	
37A	Bag Holder Complete Set	946923	1	Incl. items 35,36 and 37	
38	Piston (sealbar)	967362	2		
39	Silicone Tube	nss	1		
40	Lock For Lid	946978	1	Incl. Items 39, 41, 42	
41	Screw	nss	1		
42	Nut	nss	4		
43	Protective Pad for Lid	n/a	12		
44	Switch Bracket	n/a	1		
45	Switch	946930	1		
46	Housing Cover	n/a	1		
47	Control Panel Bracket	n/a	1		
48	Control Panel	968635	1	Plastic part only	
49	Vacuum Gauge	946817	1		
50	Control PCB	944981	1		
51	Membrane Switch Panel	946947	1		

52	Seal Bar Valve	946794	1	
53	3-Way Connector (Small)	n/a	2	
54	Mounting Pin	n/a	1	
55	2-Way Connector (Straight)	n/a	1	
56	Three-Way Connector (Big)	942505	1	
57	4-Way Connector	n/a	1	
58	Inlet Valve	942475	2	
59	Outlet Valve	942550	1	
60	Toroidal Transformer	n/a	1	
61	Main PCB	944998	1	
62	Power Cord	900680	1	Not Shown on Exploded View
68	Product Raiser	946954	2	Not Shown on Exploded View

n/a -> not available

nss -> not sold separately

Circuit diagram

 <b style="font-size: 24px; font-weight: bold;">HENDI <small style="color: green;">Tools for Chefs</small> Hendi B.V. Steenoven 21 3911 TX Rhenen The Netherlands	Batch #	Appliance part#
	HK013121 and up	201442
	Description	
	Vacuum chamber packaging machine Profi Line 410	

Date	18-06-2025	Revision #	1,1
Revision	New vacuum pump.		

