

Drawing



Tools for Chefs

Hendi B.V.  
Steenoven 21  
3911 TX Rhenen  
The Netherlands

Batch #

000000 and up

Appliance part#

274163

Description

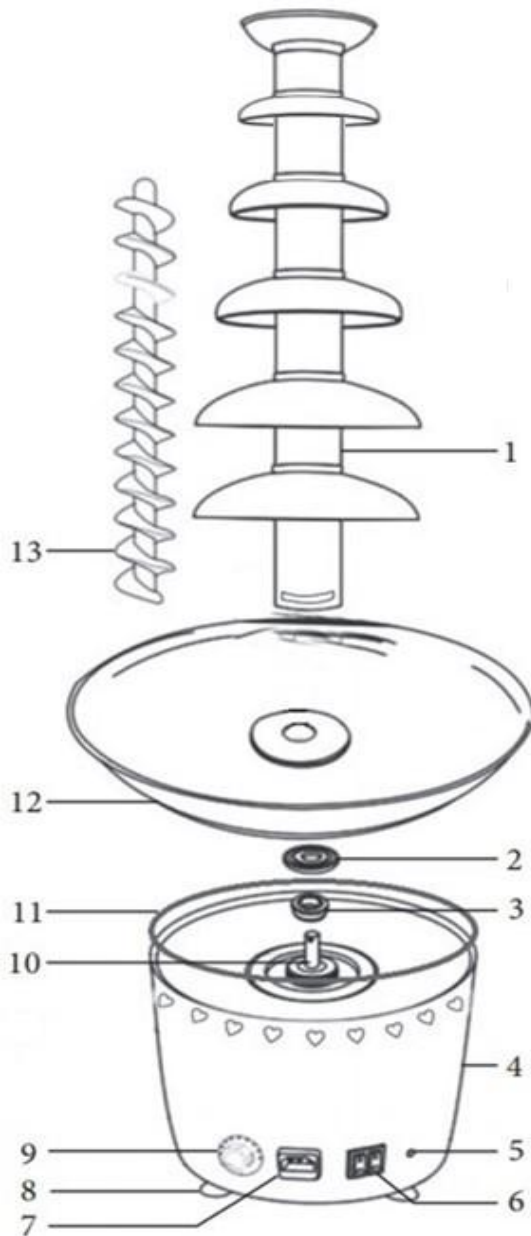
Chocolate fountain 6 tiers

Date 06-08-2025


Revision #

1.0

Revision First Bill of Materials (BOM)



### Bill of materials (BOM)

 <b style="font-size: 24px; margin-left: 10px;">HENDI</b> <small style="color: green; margin-left: 10px;">Tools for Chefs</small> <b>Hendi B.V.</b> Steenoven 21 3911 TX Rhenen The Netherlands	<b>Batch #</b>	<b>Appliance part#</b>
	000000 and up	<b>274163</b>
	<b>Description</b>	
	<b>Chocolate fountain 6 tiers</b>	


<b>Date</b>	06-08-2025	<b>Revision #</b>	1.0
<b>Revision</b>	First Bill of Materials (BOM)		

Item	Description	Part#	Quantity	Remark	Picture
1	Tower	n/a	1		
2	Silicone ring	nss	1	Available in maintenance set	
3	Oil seal	nss	1	Available in maintenance set	
4	Housing	n/a	1		
5	Fuse holder	n/a	1		
6	Switch	n/a	1		
7	Cord inlet with fuse	n/a	1	(spare fuse supplied in fuse holder)	
8	Foot	960271	3		
9	Thermostat knob	n/a	1		
10	Motor (axle)	n/a	1		
11	Seal ring	960288	1		
12	Chocolate reservoir	n/a	1		
13	Auger	969373	1		
14	Power supply motor	960240	1	Not shown on drawing	
15	Thermostat	960257	1	Not shown on drawing	
16	Heating element	n/a	1	Not shown on drawing	
17	Power cord	900680	1	Not shown on drawing	
18	Silicone ring replacment	nss	5	Not shown on drawing	
19	Oil seal replacement	nss	5	Not shown on drawing	
20	Fuse replacement (F3.0A)	nss	2	Not shown on drawing	
21	Maintenance set	960264	1	Incl. item 18, 19 and 20	

n/a -> not available

nss -> not sold separately

### Circuit diagram

 <b style="font-size: 24px; margin-left: 10px;">HENDI</b> <span style="color: #808000; font-size: 12px; margin-left: 20px;">Tools for Chefs</span> <b>Hendi B.V.</b> Steenoven 21 3911 TX Rhenen The Netherlands	<b>Batch #</b>	<b>Appliance part#</b>
	000000 and up	<b>274163</b>
	<b>Description</b>	
	Chocolate fountain 6 tiers	

<b>Date</b>	06-08-2025	<b>Revision #</b>	1.0
<b>Revision</b>	First Bill of Materials (BOM)		

### Circuit diagram

